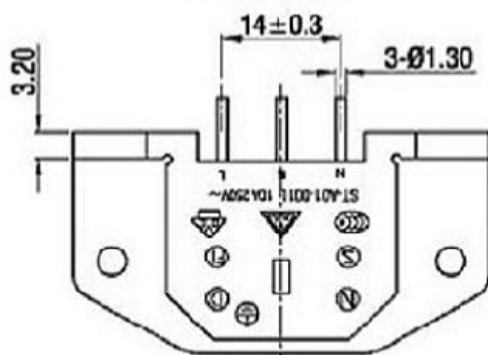


SECTION A-A



SPEC:

A. Material:

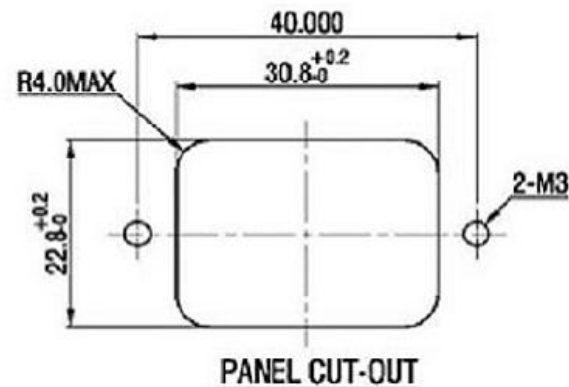
1. Housing: PBT WITH G/F30% UL 94V-0
2. Terminal: COPPER ALLOY, TIN PLATED

B. Electrical Characteristics:

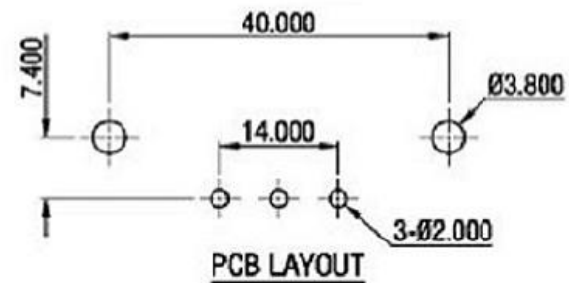
1. Rating: 15A 250V~ (UL, CUL)
- 10A 250V~ (CCC, VDE, SEMKO, NEMKO, FIMKO, DEMKO, SAA)
2. Electric Strength: AC 2,000 V FOR ONE MINUTE
3. Insulation Resistance: 100MΩ MIN, AT 500V DC

C. Approvals:

UL, CUL, CCC, VDE, SEMKO, NEMKO, FIMKO, DEMKO, SAA



PANEL CUT-OUT



PCB LAYOUT

				普通公差 COMMON TOLERANCE :	 东莞市高迪电子有限公司					
				UP TO 5 ±0.20					单位 mm	投影
				ABOVE 5 TO 30 ±0.30	绘图	核 对	型 号			
				ABOVE 30 ±0.50	日期	核 准	料 号	KD-AC电源插座		
REV.	DATE	REVISION DESCRIPTION	ISSUE	ANGULAR ±5°	DATE	APPROVAL BY	PART NO.			